

Without a power supply



# TECHNICAL SHEET ES.40

## UNIVERSAL SOLAR CABINET FOR AUTOMATED EXTERNAL DEFIBRILLATOR



### PRESENTATION

The ES.40 solar cabinet consists of a universal cabinet, a wall plate, a support bar and a solar panel. The protection arm and pole are available as an option. The pole will allow you to install your defibrillator in the most remote places.

The cabinet is made of polypropylene (PP) and polyéthylène (PET Grifen). 100% recyclable (shock-resistant material, insulating, fire-retardant and rot-resistant treatment material).



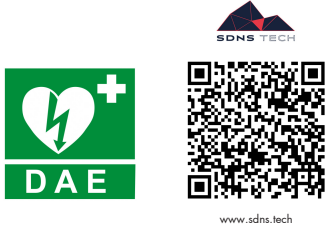
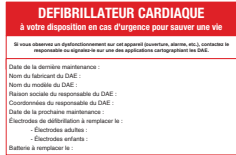
It fits all defibrillators.

Innovative and modern Design.  
French Manufacturing.



### SIGN

- On the cabinet, a location is provided to paste the maintenance tracking sheet.
- Inside the cabinet, a location with a QR code refers to the different datasheets of the different devices.
- On the transparent cover, a sign is displayed with the pictograms of the survival chain.
- The different AED DAE logos and labels and the standard heart are moulded on the transparent and UV-resistant cover (Grifen).



**SDNS TECH**

**1 massage cardiaque + 1 défibrillateur c'est 10 fois plus de chance de survie !**

**Appeler les secours**  
15 ou 18  
ou 112

**Masser la victime**  
sur une base de 100 à 120 compressions / min

**Définir**  
en attendant l'arrivée des secours sur place

SDNS TECH | 04 90 81 94 80 ou 06 98 31 24 08  
contact@sdns.tech | www.sdns.tech | Société Hélicoptère 435 rue Louis Armand 73420 Méry - France

### 4 COLORS AVAILABLE FOR YOUR CABINET





# TECHNICAL SHEET ES.40

Read the operating instructions and instructions for use carefully.

SDNS TECH cabinets are designed to receive automated external defibrillators (AEDs). The I.10 and I.20 cabinets are designed to be installed indoors.

E30 and ES.40 cabinets are designed for outdoor installation.

cabinets do not replace mandatory AED controls and maintenance as per manufacturer protocols.

Warning, before the installation please take off the protection film from the transparent cover. The hardware is not included.

## WARRANTY

SDNS TECH AED cabinets are guaranteed 5 years (excluding electronics components guaranteed 2 years) from the date of acquisition by the distributor from the company D-SECURITE GROUPE which is the exclusive distributor. Any changes to the ES.40 will void the warranty.

Upon receipt of the cabinets, check the conformity of the products and, in the event of a defect or non-conformity, immediately inform D-SECURITE GROUPE in writing and communicate to it all information likely to characterize the nature of the defect observed.

Also excluded from any warranty, normal wear and tear of the cabinets, any consequence of negligence, lack of monitoring, lack of maintenance, failure to monitor or maintain a false operation not attributable to D-SECURITE GROUPE, from any improper use or a modification or repair made without the written consent of D SECURITE GROUPE.

No claim of any kind may be made more than 15 days after the discovery of the cause of the claim.

## TECHNICAL DESCRIPTION

Chest material : PP (Polypropylene) Material

Cover material : PET Grifen (Polyethylene)

Weight of main cabinet components :

- Chest without cover: 1.894 lb / 0.859 kg

- Cover without chest: 0.494 lb / 0.224 kg

- Wall mount : 10.319 lb / 4.680 kg

- Solar panel : 36.338 lb / 16.48 kg

- Pole : 27.254 lb / 12.36 kg

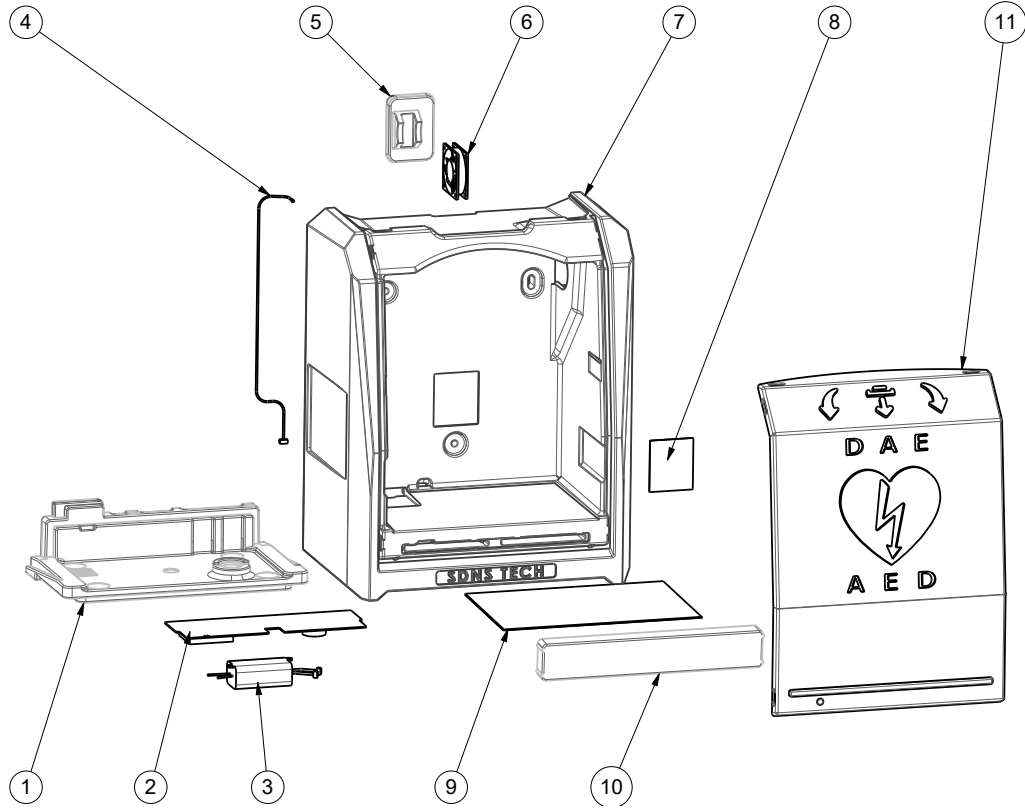
- ES40 only with Wall mount kit : 44.093 lb / 20 kg

- ES40 with pole : 88.20 lb / 40 kg

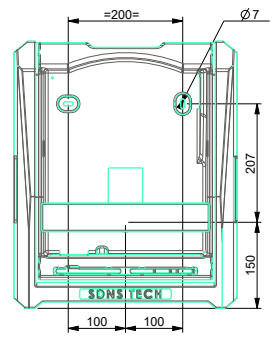
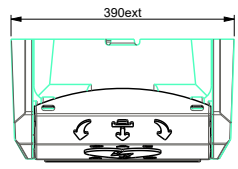
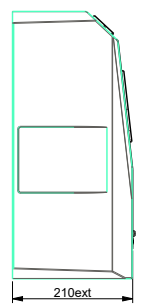
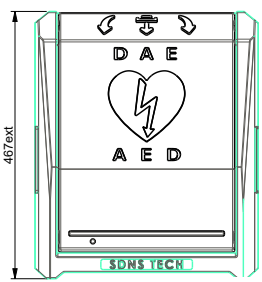
Dimensions : W 22.047 inch / H 75.866 inch / D 36.102 inch

**Caption :**

1. Lower Trunk Cover
2. Electronics card with cover opening sensor and brightness sensor (for I.20-E.30 and ES.40 enclosures)
3. Transformer (for E.30 cabinets)
4. Temperature Probe (for E.30 and ES.40)
5. Fan Cover
6. Fan (for E.30 and ES.40 cabinet)
7. Chest
8. Bar code label for online user manual
9. Hot Plate (for E.30 and ES.40)
10. Defibrillator Support Bar
11. Grifen Anti-UV Cover

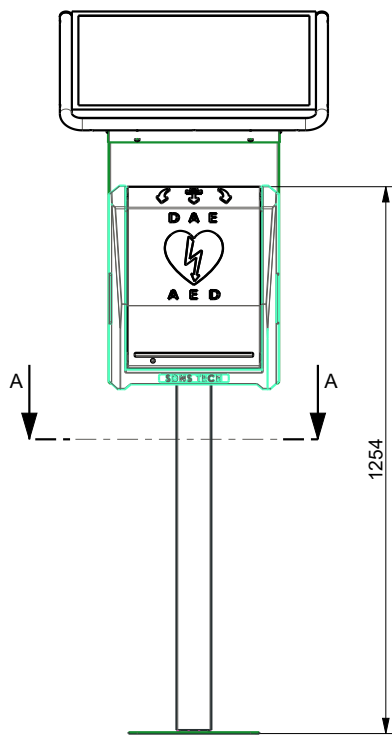


Parts and consumables can be ordered separately.

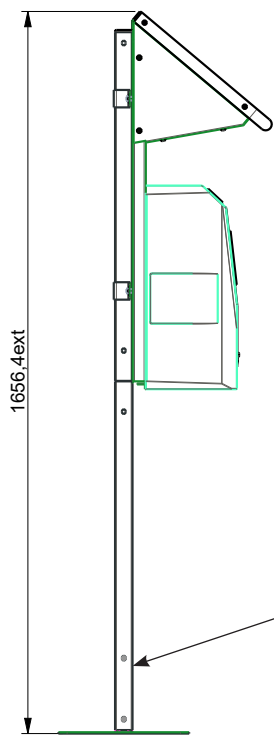


Cover + Chassis + Support bar

V12 - 12.04.2024 - EL



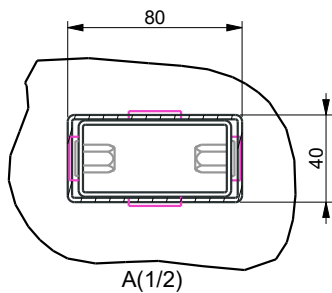
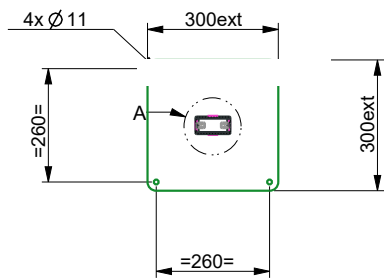
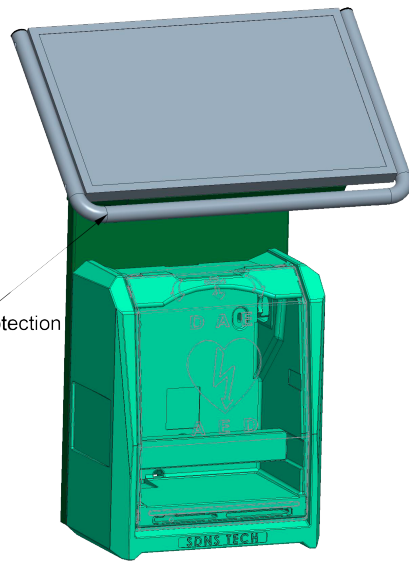
ECHELLE 1/10



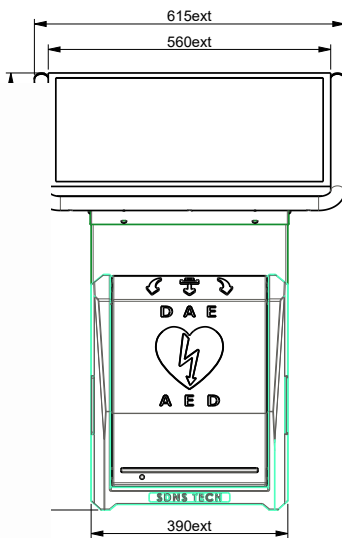
OPTIONAL :  
Pole

OPTION :  
Tube de protection

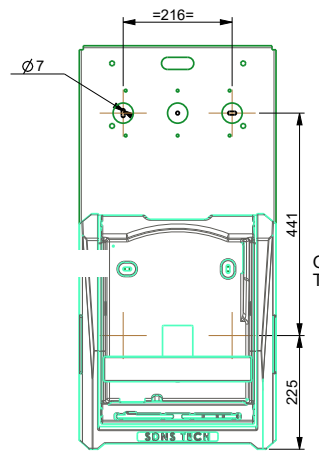
OPTIONAL :  
protection  
bar



\* centimeters



ECHELLE 3/20



ECHELLE 3/20  
FIXATION

V12 - 12.04.2024 - EL

## INSTALLATION TIP

To know the installation conditions, you must contact your distributor for installation advice (type of attachment, conditions, clearance, etc.).

Comply with road installation obligations according to the laws of the country in force.

The ES.40 Cabinet does not require any electrical connection.

You can install seals on the cabinet to check if the cover has been opened.

It can be installed on the front.

For pole installations, a concrete slab of 500 x 500 x 200 mm should be provided.

Type of positioning possible for the panel: SOUTH to prioritize/ South EAST/ South West.

In outdoor installation, we recommend that you prefer boxes of green and white color to limit the rise in temperatures.

Features ES.4 photovoltaic panel and battery :

- Photovoltaic panel power 30 W, 12 V
- 12 V, 7.2 AH battery power
- Battery life theoretically between 5 and 10 days depending on sunshine ans with fully charged.

## FUNCTIONING

The E30 and ES40 cabinets feature LED lighting.

In day mode, the leds are green and flash every 2 seconds.

In night mode, the LEDs are fixed white with flashing green LEDs every 15 seconds.

When the hood is open: the leds flash red and the alarm sounds every 32 seconds intermittently. The alarm has a maximum current of 100 dB and a voltage of 12 V, the sound level decreases to 90 dB in normal operation.

### **Vent :**

ON above 20°C

OFF below 17°C

### **Heating :**

OFF above 5°C

ON below 2°C

If the cover is open, heating and ventilation will stop.

# DECLARATION OF CONFORMITY CE

This certificate certifies that the product below complies with the specifications indicated and has been tested in accordance with our obligations in accordance with BS EN ISO 9001:2015. It also confirms - if applicable - that static sensitive products have been handled and packaged with care in accordance with ANSI/ESD S 20.20:2014 and BS EN 61340-5-1:2016 regulations and technical conditions.

In addition and in equivalence, Directive 2001/95/EC on general product safety.

The power block complies with the directive (2014/35/EU) – EN62368-1:2014+A11:2017  
EN 55032:2015 Class B // EN 61000-3-2:2014 // EN 61000-3-3:2013

EMS (Electro-Magnetic Susceptibility): EN 55024:2010+A1:2015

## Product(s) Information

Models

I.10 / I.20 / E.30 / ES.40

Product Description

## Cabinet for defibrillator

Brand/Model :  
**SDNS.TECH**



RoHS Compliance Statement

Directive EU 2011/65/EU and (EU)2015/863 limits the use of the 10 substances in the manufacture of certain types of electrical equipment.

For accessories such as outdoor poles and mounting brackets the passive safety and test method refers to the NF EN 12767.

V12 - 12.04.2024 - EL



French Manufacturing

6



[www.sdns.tech](http://www.sdns.tech) | [contact@sdns.tech](mailto:contact@sdns.tech)  
+33 (0)6 10 15 76 75

Exclusive distributor: D-Sécurité Groupe

Distributed by: